

Camera Housing

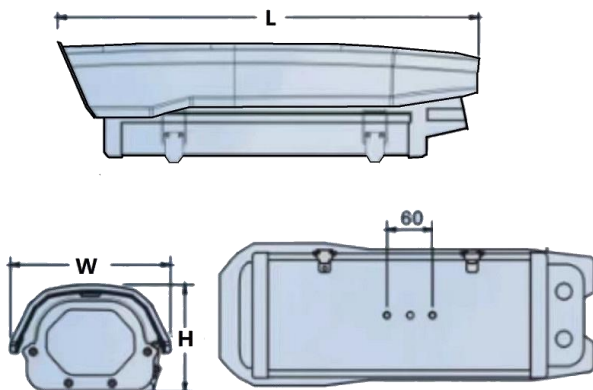
S-HZ46



Technical Specification

Model	S-HZ32	S-HZ39	S-HZ46
Material	Aluminium alloy + plastic		
Outer size	L320*W161*H112mm	L390*W161*H112mm	L460*W161*H112mm
Window size	L80mm*H64mm		
Glass	Inner:		
Internal space	L170mm*W105mm*H75mm	L240mm*W105mm*H75mm	L310mm*W105mm*H75mm
N.W.	0.9KG	1.1KG	1.3KG
G.W.	1.1KG	1.3KG	1.5KG
Waterproof	IP66		
Working temperature	-30°C to 50°C		

Outer Dimension



Bracket (options)

