

## S-SZN3106-W White Light Strobe Lamp



### Product Overview

S-SZN3106-W is designed as the high brightness LED strobe lamp for monitoring. The product adopts self-designed heat dissipation structure and constant current drive control mode of the lamp, chooses high-power LED chip as light source, through precise optical design which makes light intensity uniform and effective distribution and achieves overall high brightness effect. It provides professional lighting for video surveillance, vehicle pedestrian detection and capture. Products can be widely used in electronic police, public security, road monitoring and other systems.

### Feature

- High performance LED, high efficiency, energy saving and environmental protection.
- Adopt with aluminum alloy lamp body with fin type structure for better heat dissipation, the front cover is using tempered glass for good light transmission effect and reliability.
- Video synchronization by stroboscopic support.
- Easy installation, no need to debugging, small size and light weight.

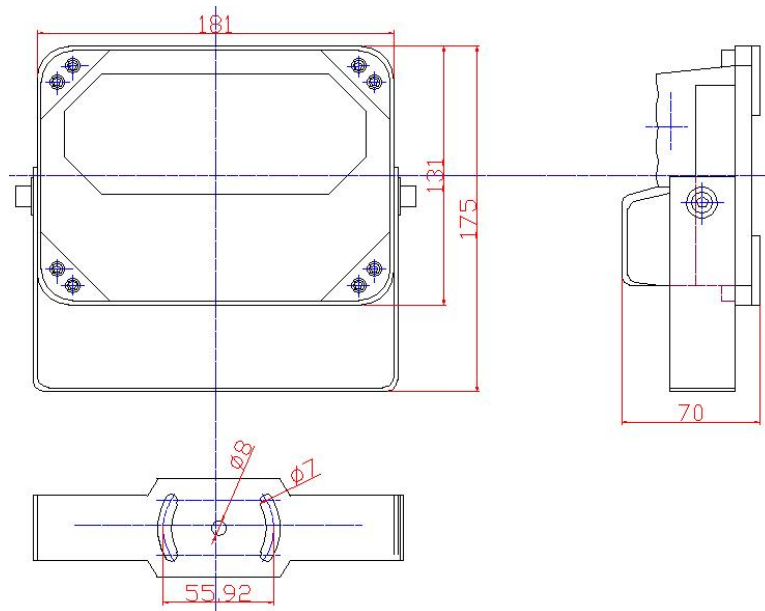
### Technical Specification

Item	Specification
LED Type	16pcs high brightness white light LED
Color Temperature	5000K-7000K
Beam Angle	10° (standard), 15° , 30° , 45°
Cover Lane	1 Lane (standard)
Best Distance for NPR	16-25meter
Trigger Method	Self adaptation
Response Time	≤20us
Protection function	Transient over peak suppression
Synchronization Port	1 port strobe trigger input
RS485 Port	Function setting
Design Lifetime	≥50000 hrs
Housing Material	Die-casting aluminium alloy
Power Sources	AC220V±20%, 47Hz~63Hz
Working voltage	AC100-265V
Power consumption	≤30W (actual power is related to control mode).
Working temperature	-40~+70°C (working humidity 10%~90%)
Protection level	IP67

## Intelligent Traffic Strobe Lamp

Surge Level	Common mode 4KV, Differential Mode 2KV
Net Weight	1.4kg
Packing Dimension	181*175*70(mm)
Security standards	GAT1202-2014-General technical specification for traffic technology monitoring imaging supplementary device

## Picture & Dimension



Unit: mm

## Wiring Definition



Base pin	Color of outgoing wire	Signal
1	Brown	Input AC220V L-line
2	Blue	Input AC220V N-line
3	Yellow-Green	Input AC220V PE
4	Red	Strobe trigger input + (switching level)
5	Black	Strobe trigger input - (switching level)
6	Yellow	RS485 A
7	Green	RS485 B

## Matters need attention

1. Except artificial reason and the force majeure, the lamp has 36months warranty, lifetime maintenance with cost price.
2. Using outdoor electronic product safety reasons, the ground wire must be connected to the qualified ground device to protect the products.
3. The product powered with high voltage. It is strictly prohibited to open personally.
4. To avoid water in, the product must install correctly and the power wire must not be tighten.
5. We seek to make the accuracy between product and data, but we can't cover all the application field. Specification and design are subjected to change without notice.