

IR Strobe Camera Housing

S-HZ60S-IR



Description

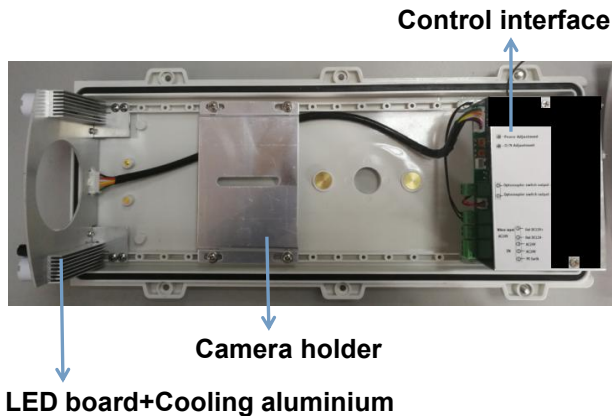
- Leading IR technology provides high efficiency and long life span of LED, smart uniform irradiation solution improves image quality & monitoring effect.
- Accurate constant circuit drive develops excellent performance of product, power and day/night switch can be manually adjusted.
- The housing is made of PC+PBT plastic alloy, with double-layer sun-shield and up-lifting cover structure with drop-protected rope inside.
- The internal installation space is sufficient to install most IP cameras, CCTV cameras on the market, such as large intelligent traffic cameras and cameras with telephoto lenses can be installed.
- IP66 waterproof and dustproof protection level.
- High integrated solution for easy installation and saving cost.
- 2years warranty.
- Support video synchronization with camera via trigger.

Specification

Quantity of LED	10PCS 2W high power IR LED
Wavelength	850nm
Beam angle	15° - 60°
NPR distance	1-45m
Day/night switch	CDS 10-20lux ±10% (adjustable)
Input voltage	AC24V/DC48V/AC110V/AC220V
Output to camera	DC12V 1000mA
Power consumption	20W (adjustable)
Trigger input	switching value/DC3.3V-12V electrical level
Panel	Tempered glass panel
Housing	PC housing
Bracket	Bottom mount bracket
Working temperature	-40°C to +60°C (-50°C to +60°C with heater)
Cooling	Air cooling internal circulation
Blower	Included
Protection level	IP66
Color	Beige
N.W	2.4KG
G.W	2.9KG

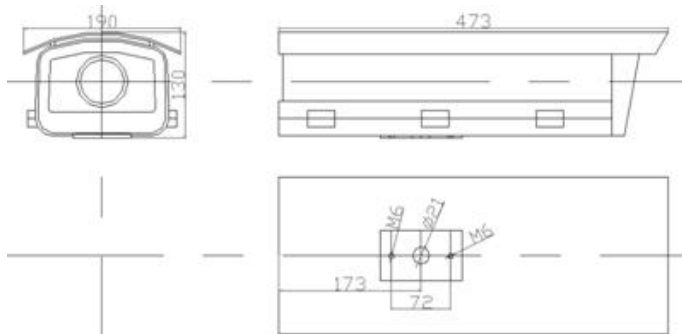
Installation and adjustment

1. Internal Picture and dimension of internal space



Lens size: $\phi 57\text{mm}$
 Length: 30mm($\phi 57\text{mm}$) +250mm
 Width: 100mm
 Height: 15mm(camera holder to bottom of lens)+57mm(lens)+10mm(top of lens to top of led board)

2. Dimension of housing



Unit: mm

Models for selection

Model	Beam Angle	IR Distance for NPR
S-HZ60S-15-IR	15°	16m-45m
S-HZ60S-30-IR	30°	10m-30m
S-HZ60S-45-IR	45°	5m-20m
S-HZ60S-60-IR	60°	1m-10m

*IR distance is tested by SONY 1/3" CCD Camera.
 To achieve the distance needed, please pay attention to your camera specification and lens before purchase. It is normal phenomenon that distance may vary due to different cameras and lens.

Certificate



Our product is weatherproof and dustproof. Do not modify the shape, dismantle or reconfigure the product, any inflow of water cause by which are not be responsible for warranty repair.

Bracket (options)

Cable Management Bracket
 Material: Aluminium Alloy
 Size: 280*120*84mm
 N.W: 0.8KG

