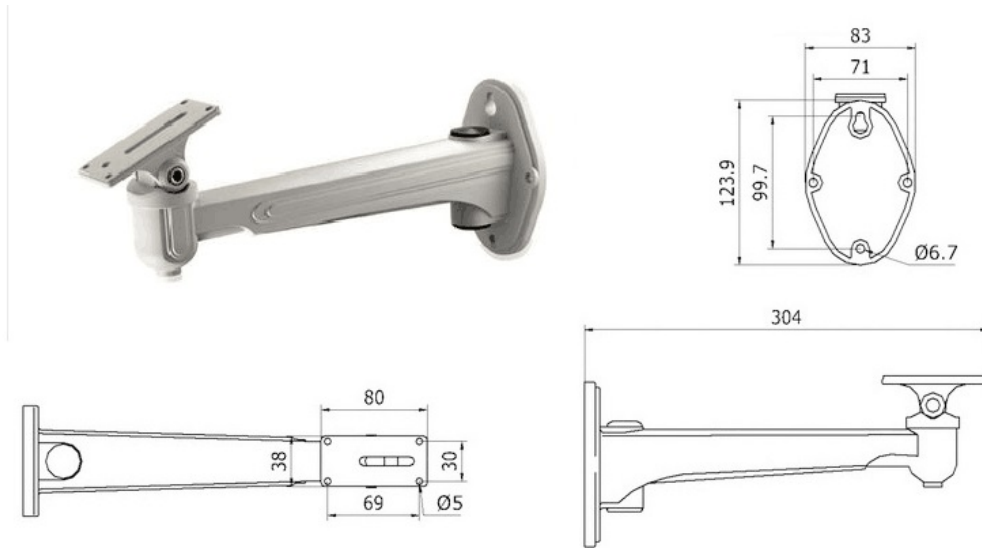


## Wall Mount Bracket

B01



### Technical Specification

Model: B01

Material: Aluminium Alloy

Mounting: Wall Mount

Installation Environment: Indoor/Outdoor

Color: White

Dimension: 304\*123.9\*83mm

Packing Dimension: 310\*125\*90mm

N.W.: 0.45KG

G.W.: 0.6KG

Application Model: HZ33, HZ33P, S300D, S500D

