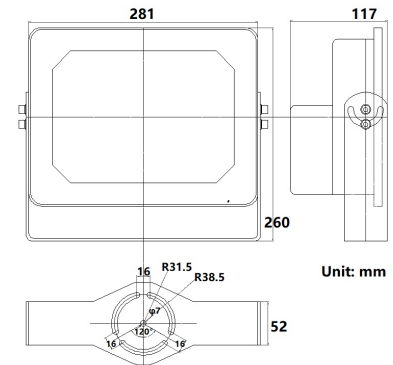


S-SZN3142-W White Light Strobe Lamp



Product Overview

S-SZN3142-W is designed as the high brightness LED strobe lamp for monitoring. The product adopts self-designed heat dissipation structure and constant current drive control mode of the lamp, chooses high-power LED chip as light source, through precise optical design which makes light intensity uniform and effective distribution and achieves overall high brightness effect. It provides professional lighting for video surveillance, vehicle pedestrian detection and capture. Products can be widely used in electronic police, public security, road monitoring and other systems.

Feature

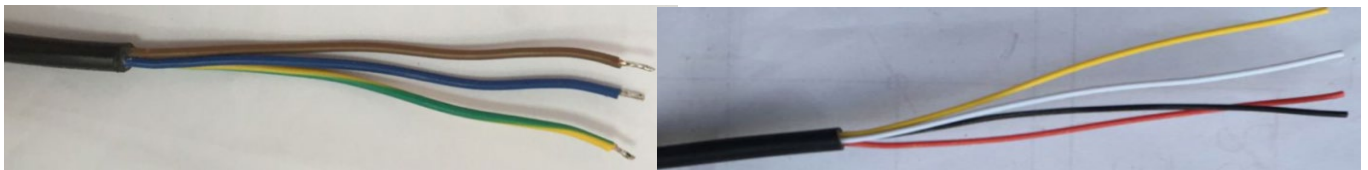
- High performance LED, high efficiency, energy saving and environmental protection.
- Adopt with aluminum alloy lamp body with fin type structure for better heat dissipation, the front cover is using tempered glass for good light transmission effect and reliability.
- Automatically protect the camera's error triggering and resume the trigger signal when the input is abnormal.
- Video synchronization by stroboscopic support.
- Support strobe brightness adjustment.
- Support flash function

Technical Specification

Item	Specification
LED Type	42pcs high brightness Cree white light LED
Color Temperature	5000K-7000K
Beam Angle	10° (standard), 15° , 30° , 45°
Cover Lane	1.5 Lane (standard)
Best Distance for NPR	16-25meter (standard)
Strobe Trigger Method	Electrical level
Strobe Trigger Signal	4V-6V (high electrical level effective)
Trigger Frequency	15Hz-250Hz
Trigger Duty Cycle	1% to 39%, when the duty cycle is $\geq 40\%$, the self protection started
Flash Trigger Method	Switching value switch

Intelligent Traffic Strobe Lamp

Protection Function	Transient over peak suppression
Response Time	≤20us
Synchronization Port	1 port strobe trigger input
	1 port flash trigger input
Brightness Control	Changing the duty cycle of external input PWM wave
Design Lifetime	≥50000 hrs
Housing Material	Die-casting aluminium alloy
Power Sources	AC220V±20%, 47Hz~63Hz
Power consumption of strobe	>85W (actual power is related to control mode).
Power consumption of flash	Peak 200W
Working temperature	-40~+70°C (working humidity 10%~90%)
Protection level	IP66
Surge Level	Common mode 6KV, Differential Mode 3KV
Net Weight	4.7kg
Packing Dimension	281*260*117(mm)
Security standards	GAT1202-2014-General technical specification for traffic technology monitoring imaging supplementary device

Wiring Definition

Base pin	Color of outgoing wire	Signal
1	Brown	Input AC220V L-line
2	Blue	Input AC220V N-line
3	Yellow-Green	Input AC220V PE
4	Red	Strobe trigger input + (electrical level)
5	Black	Strobe trigger input - (electrical level)
6	Yellow	Flash trigger input + (Switching value)
7	White	Flash trigger input - (Switching value)

Matters need attention

1. Except artificial reason and the force majeure, the lamp has 36months warranty, lifetime maintenance with cost price.
2. Using outdoor electronic product safety reasons, the ground wire must be connected to the qualified ground device to protect the products.
3. The product powered with high voltage. It is strictly prohibited to open personally.
4. To avoid water in, the product must install correctly and the power wire must not be tighten.
5. We seek to make the accuracy between product and data, but we can't cover all the application field. Specification and design are subjected to change without notice.