

# S-S300LM/S-S500LM IR Array Zoom Laser Module

## Features

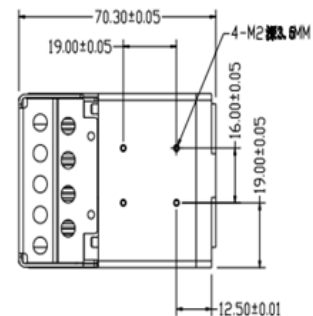
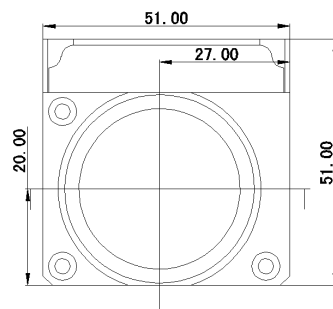
- Adopt with auto surface emitting laser chip (VCSEL), zero light attenuation
- Wide range of working temperature, good adaptability to the environment
- Surface emitting chip offers safer operation
- Evenly spot provided by array lighting
- Photoelectric conversion efficiency up to 40%
- Under 50°C working temperature, photoelectric conversion efficiency up to 35%
- Auto zooming, step-less optical zoom
- Reliable with life span more than 50000hrs
- Small in size, easy to integrate
- RS232, RS485, TTL ports options
- Coaxial lens focus, sync. with camera
- Homogenized light spot with no noise
- Power lose memories
- CE proved
- Preset position
- Low heating, high efficiency



## Applications

- Speed Dome
- PTZ camera
- Box camera
- Highway monitoring
- Display applications
- Military applications

## Mechanic schematic



## Description

This laser illuminator is high performance integrated with high quality laser chip and excellent optics design, and outstanding circuit control with high efficiency. It has big beam angle zooming, which can match the field view angle of cameras. It also has friendly interfaces such as operating voltage, communication protocol and installation schematic. It can be widely used in high-speed dome, PTZ camera and traffic monitoring.

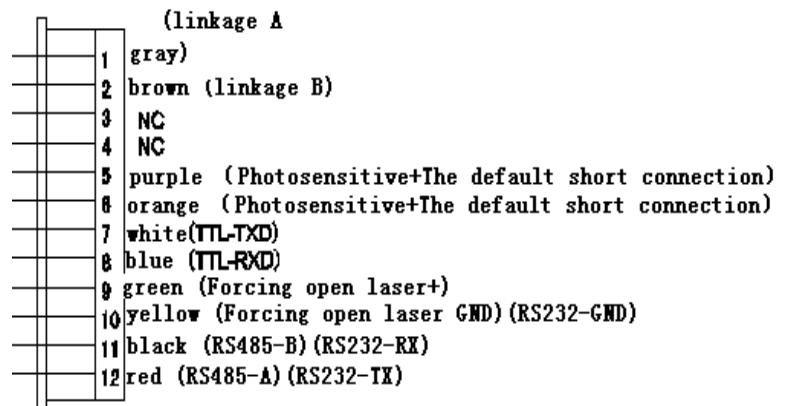
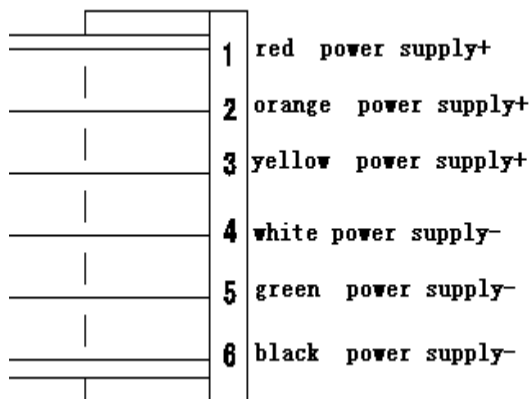
This illuminator is compatible with major lens and cameras, integrated with the protocols such as Pelco P&D, Sony VISCA protocol. It is easy for users to implement the illuminator. Simultaneously, Position can be preset via serial port, and users can call the instruction to operate conveniently in use.

## Specifications

Parameters	Typical values		Unit	Remarks
	S-S300LM	S-S500LM		
Model	S-S300LM	S-S500LM	—	—
Laser mode	Multimode		—	—
Wavelength	808/975±10		nm	Optional
Optical power	1.8	2.5	W	Laser output
Spot shape	Circular		—	—
Illuminating distance	300	500	m	—
Spot uniform	Homogenized light spot without noise		—	—
Fan angle	1.6-65		°	—

Operating voltage	12		V	—
Operating current	1	1.5	A	—
Lifetime	50000		hrs	—
Operating temperature	-10- +70		°C	—
Storage temperature	-40- +85		°C	—
Power consumption	12	18	w	—
Dimensions	L70×W51×H51		mm	—
Material	Aluminum Alloy		—	—
Surface color	Black		—	—
Laser classification	1M	2	—	—
Control wire define	See Interface Definition Diagram(12PIN)		—	—
Power wire +	Red, Orange, Yellow (6PIN)		—	—
Power wire -	White, Green, Black (6PIN)		—	—
Protocol interface	RS232/RS422/RS485/TTL		—	optional
Protocol	Pelco P&D/Sony VISCA		—	—
Surface processing	9600		—	set up
Weight	300		g	—
Heat dissipation	Forced wind		—	—

## Electrical and electronic interfaces



## Laser Safety

The output power of this module is classified as class 1M/2, one can refer to GB7247.1-2012 or IEC 60825-1:2007 《Laser Product Safety: Part 1:Devices classification, requirements and user's Manual》.

## Copyright statement

Part or all of the content of the copyright in this document are owned by Shantou Scene Electronics Co., Ltd. Without official permission, no organization or individual are allowed to copy or spread this user manual in any form by any means. We have the right to pursue its corresponding legal responsibility.

## Applications

